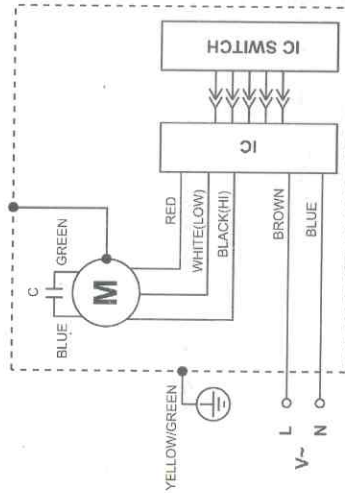


TECHNICAL PARAMETER

Body Length	Power (W)		Air Speed (m/s)		Air Volume (m³/h)	Noise (dB / A)		Net Weight (kg)
	HI	LOW	HI	LOW		HI	LOW	
900 mm	170	115			1220	57	54	12.7
1000 mm	190	133			1450	58	55	13.5
1200 mm	209	155			1710	59	57	16.2
1500 mm	266	202	11.0	9.0	2230	60	59	19.3
1800 mm	320	235			2700	62	60	23.0
2000 mm	324	270			2900	64	62	27.1

NOTE: Rated voltage and frequency are stated as per rating label.

WIRING DIAGRAM



MAINTENANCE PRECAUTIONS

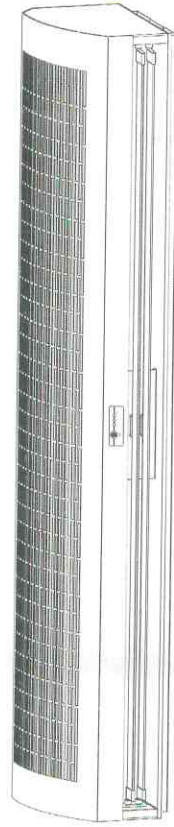
- First, ensure that the air curtain blower is switched off.
- Never use petrol, benzene, thinner or any other such chemicals for cleaning the air curtain blower.
- Do not allow water to contact electrical parts such as motor or switch.
- Do not immerse impeller and other plastic parts in hot water over 60°C.

WARNING

he product is damaged, it must be replaced by the manufacturer, its service agent or similarly qualified persons in order to avoid a hazard.

OPERATING INSTRUCTIONS

AIR CURTAIN BLOWER



Before using this unit, please read these instructions completely.

INSTALLATION CAUTIONS

Application environment: (a) 1000 meters below sea level; (b) Ambient temperature between $-10^{\circ}\text{C} \sim 40^{\circ}\text{C}$; (c) Relative Humidity $\leq 90\%$.

Please do not install the air curtain blower to the solid place, to ensure the safety when there is vibration during operation. If the air curtain blower is installed indoors, please make sure the installation height should be above 2.3 meters from the ground.

The door/gate width is larger than the air curtain blower length, please mount several units side by side together. But please keep the distance $\geq 20 \sim 50\text{mm}$ between each unit.

Please do not install the air curtain blower in the environment of high temperature or high humidity or exposure gas or corrosive materials.

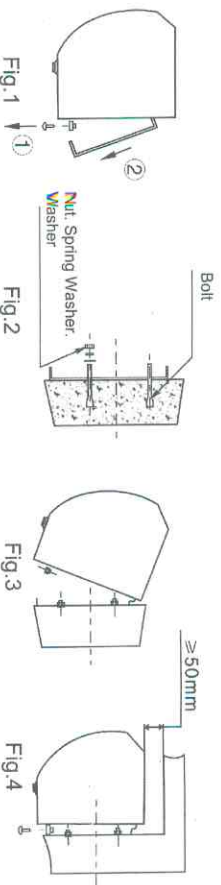
Please select the suitable cable or switch by consulting the service agent or similarly qualified persons before installation.

INSTALLATION

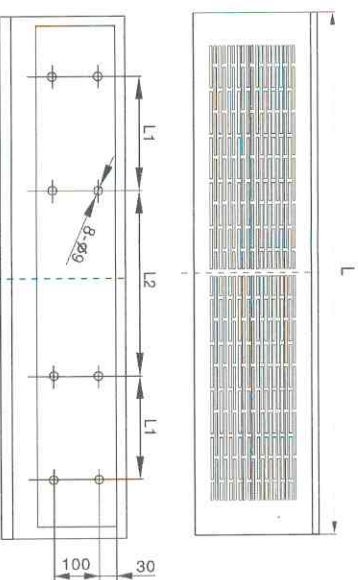
Loosen the bolt on the side of the installation plate, take out of the installation plate. (Fig. 1)

Drill holes on the wall according to the dimension of the installation plate, firstly insert the expansion bolts into the concrete firmly, and then fasten the screw nut. (Fig. 2)

Mount the air curtain blower to the installation plate, and check whether it is well / firmly mounted. And then fasten the bolt that were loosened in the Fig. 1. (Fig. 3 & Fig. 4)



EXTERNAL DIMENSION



Units: mm

Body Length	L	L1	L2
900	900	270	300
1000	1000	320	300
1200	1200	420	300
1500	1500	570	300
1800	1800	670	400
2000	2000	670	600

OPERATION

Below instructions could be carried out when electric power supply and proper installation are ensured.

Operation of with remote controller:

- Working with remote controller: (Fig. 5)
 - Operate the remote controller towards the receiver box. When it is 6 meter (within 60 angle) away from the air curtain blower, press the "on/off" butto for high setting (default); Press "high/low" for options of high/low air speed. Now the indicator light of high/low flashes. Press "on/off" to turn the unit off.

2. Working with receiver box: (Fig. 6)

--Press "on/off" and "high/low" for options of on, off and air speed.



Fig.5



Fig.6